

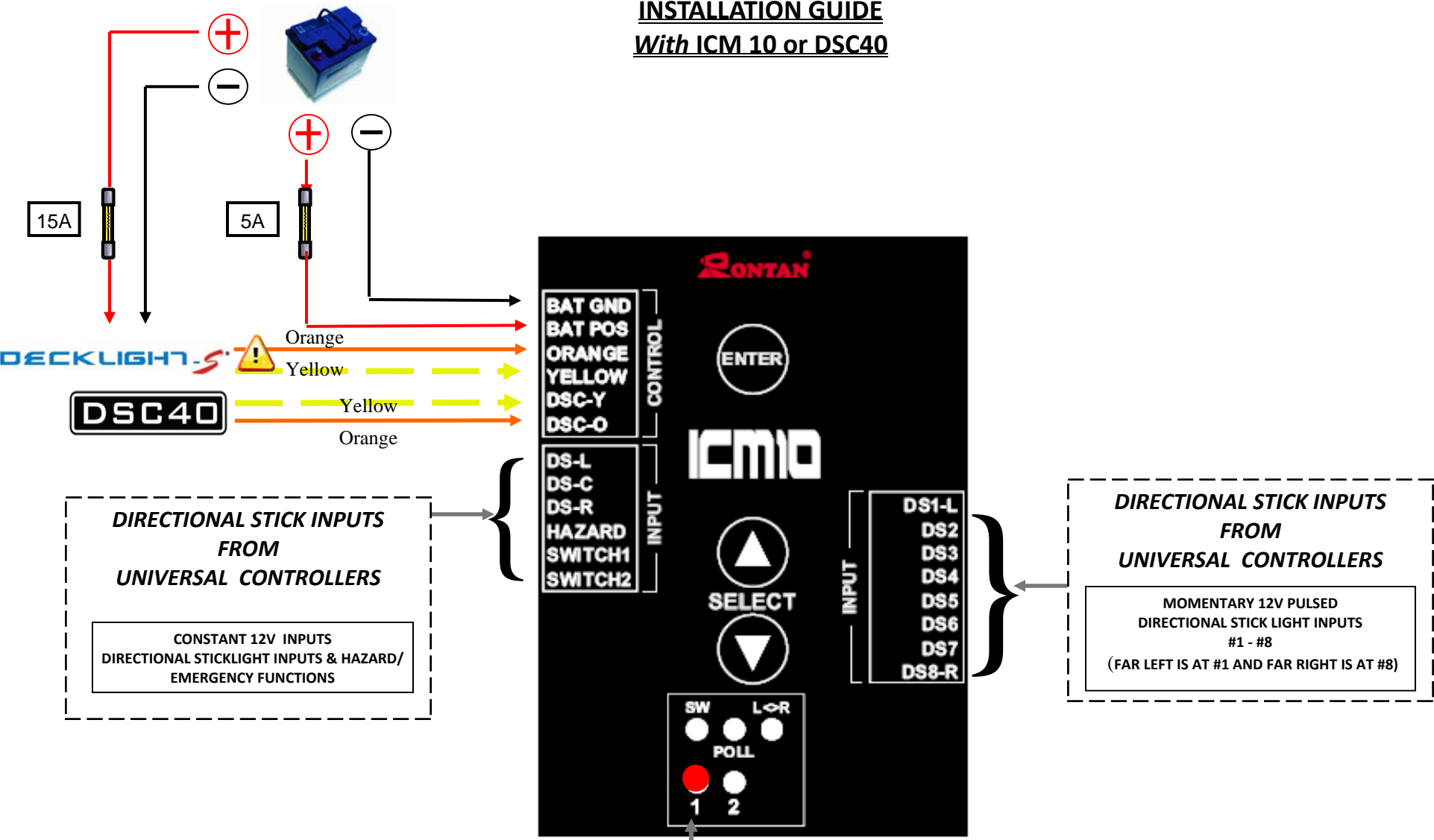
HARDWARE & INSTALLATION MANUAL

UNIVERSAL

This *DECKLIGHT-S*®:

- Is designed for use with 2006 + Law Enforcement Sedans.
- Is designed and intended to function as a directional stick and/or emergency warning light mounted on the interior rear window deck.
- Has an electric operating system requirement of 12 volts DC, with a negative ground.
- Will operate independently or in conjunction with Rontan light controllers or universal light controllers (ICM10® or DSC40® required).
- Stores all flash patterns in the light assembly intelligence.
- Plug-and-play operability and modular design of the light heads facilitate installation, quick color changes, and field upgradeability. .
- Is vehicle specific and if used with other models or applications, may require some modifications.
- Is engineered with Rontan's two-wire technology capability for ease of installation and quick programming.
- All Rontan North America products are *SAE compliant and meet Calif. Title 13 standards*

INSTALLATION GUIDE With ICM 10 or DSC40



DIRECTIONAL STICK INPUTS FROM UNIVERSAL CONTROLLERS

CONSTANT 12V INPUTS
DIRECTIONAL STICKLIGHT INPUTS & HAZARD/EMERGENCY FUNCTIONS

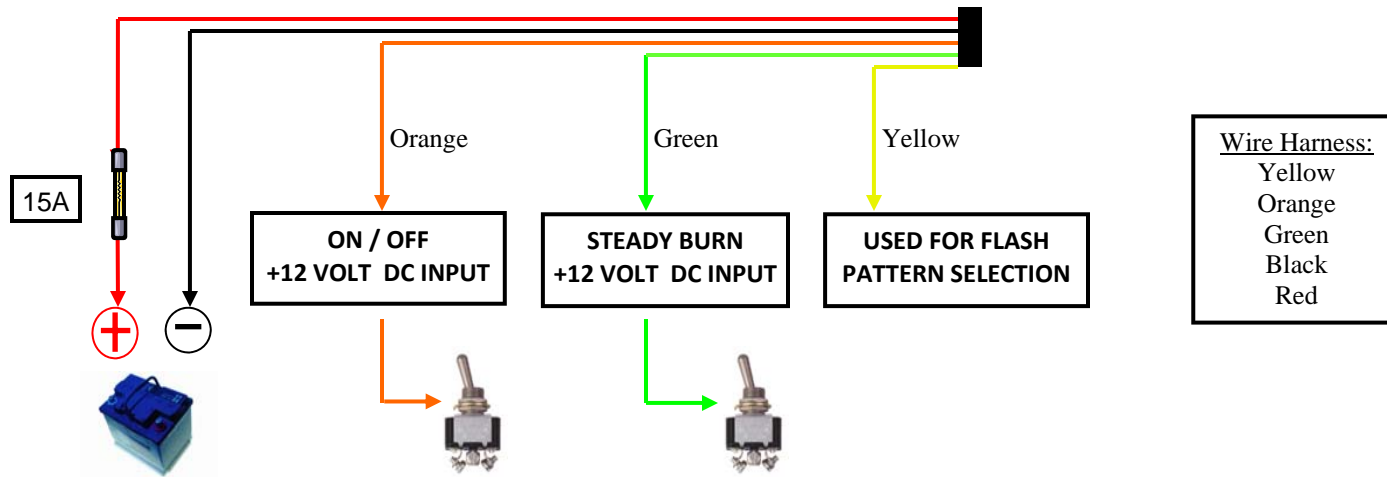
DIRECTIONAL STICK INPUTS FROM UNIVERSAL CONTROLLERS

MOMENTARY 12V PULSED DIRECTIONAL STICK LIGHT INPUTS #1 - #8
(FAR LEFT IS AT #1 AND FAR RIGHT IS AT #8)

DO NOT connect the Decklight-S® orange or yellow wires to ++12VOLT++! These are serial communication wires. Doing so will erase the light programming and require a time consuming reprogramming of the light.

Loss of Communication: If the LED in position #1 is on steady, the ICM module has lost communication. Recheck ORANGE and YELLOW connections for proper connectivity.

INSTALLATION GUIDE With ICM 10 or DSC40



MANUAL POLLING FUNCTION

1. Connect the ORANGE and the GREEN wires to +12 volts.
2. Touch and release the YELLOW wire to +12 volts to start polling.
3. Touch and release the YELLOW wire to +12 volts to exit polling.

USING A CONTROLLER

Refer to the specific controller manual(s) when using the *Deck light-S* in conjunction with an ICM10® and/or DSC40® controller.

MANUAL FLASH PATTERN SELECTION

1. Connect the ORANGE wire to +12 volts.
2. Touch and release the YELLOW wire to +12 volts to individually scroll through the flash patterns.
3. The last pattern scrolled to will be selected.

MANUAL STEADY BURN DESIGNATION

1. Connect the GREEN wire to +12 volts.
2. Touch and release the YELLOW wire to +12 volts to advance the steady burn function to the desired light head.
3. Up to 4 steady burn light heads may be selected.



NOTE: The end of the flash pattern table is signified with a "blank" flash pattern.



NOTE: The cable for electrically connecting to the vehicle exit from the passenger side of the light.