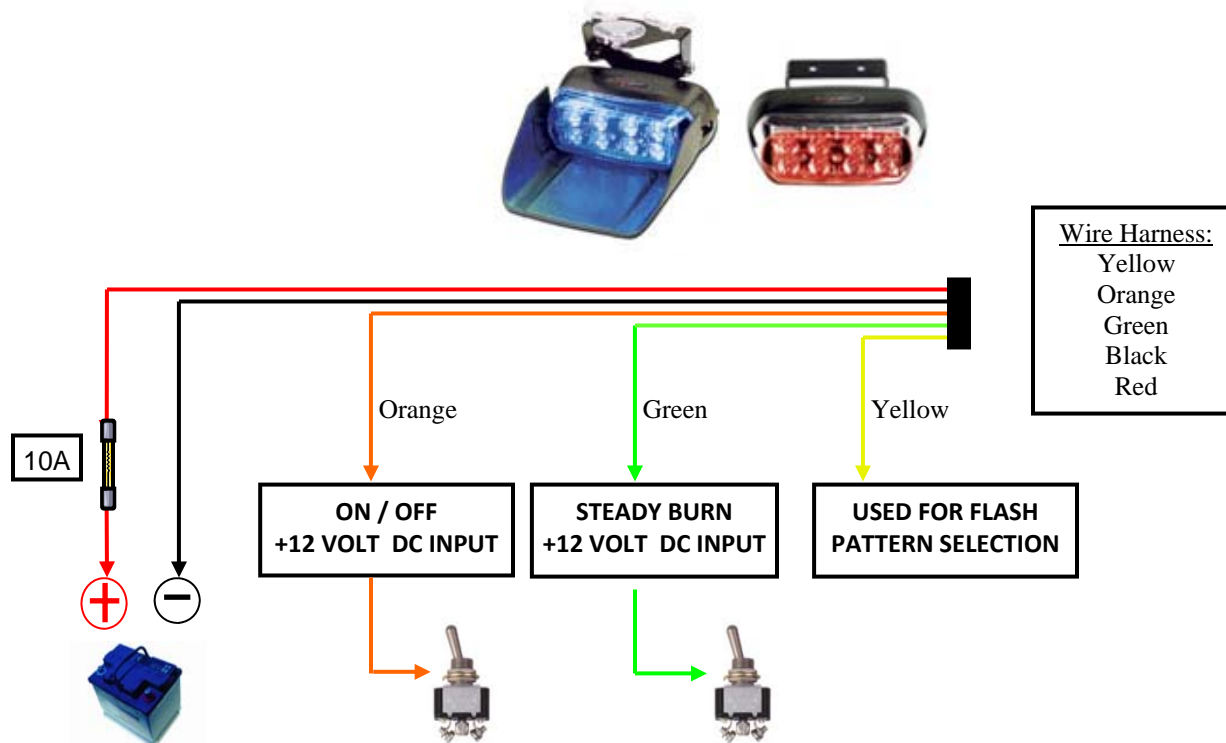


INSTALLATION MANUAL

This *Flexlight-S*:

- Is designed and intended to function as an emergency warning light with multiple mounting options.
- Has an electric operating system requirement of 12 volts DC, with a negative ground.
- Will operate independently or in conjunction with Rontan light controllers or universal light controllers .
- Stores all flash patterns in the light assembly intelligence.
- Plug-and-play operability and modular design of the light heads facilitate installation, quick color changes, and field upgradeability. .
- Is vehicle specific and if used with other models or applications, may require some modifications.
- Is engineered with Rontan's two-wire technology capability for ease of installation and quick programming.
- All Rontan North America products are *SAE compliant* and *meet Calif. Title 13* standards

INSTALLATION GUIDE



MANUAL FLASH PATTERN SELECTION

1. Connect the ORANGE wire to +12 volts.
2. Touch and release the YELLOW wire to +12 volts to individually scroll through the flash patterns.
3. The last pattern scrolled to will be selected.

MANUAL POLLING FUNCTION

1. Connect the ORANGE and the GREEN wires to +12 volts.
2. Touch and release the YELLOW wire to +12 volts to start polling.
3. Touch and release the YELLOW wire to +12 volts to exit polling.



NOTE: The end of the flash pattern table is signified with a "blank" flash pattern.

MANUAL STEADY BURN DESIGNATION

1. Connect the GREEN wire to +12 volts.
2. Touch and release the YELLOW wire to +12 volts to advance the steady burn function to the desired light head.
3. Up to 4 steady burn light heads may be selected.



NOTE: The cable for electrically connecting to the vehicle exit from the passenger side of the light.